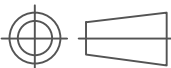




|          |               |           |                   |                  |  |  |   |
|----------|---------------|-----------|-------------------|------------------|--|--|---|
| MODEL    | EE-10(H/4+4P) |           | UNIT:             | mm               |  |  |  |
| MATERIAL | PHENOLIC      |           | SCALE:            | 1:1              |  |  |   |
| DRAWN BY | Una Wu        | 2014.3.18 | UL REC:           | 94V-0            | TOLERANCE  |  | Hefei mycoil technology Co.,LTD   |
| CHECK BY | Jason Hu      | 2014.3.18 | 0 < L ≤ 6: ±0.1   | PIN PITCH: ±0.2  |  |  | WEBSITE   |
| ISSED BY | James Hu      | 2014.5.16 | 6 < L ≤ 20: ±0.2  | THICKNESS: ±0.15 | TEL  | ( +86 ) 551 6619 6829  |   |
|          |               |           | 20 < L ≤ 50: ±0.3 | ANGLE: ±1°       | EMAIL  | sales@mycoiltech.com   |   |
|          |               |           | 50 < L: ±0.4      | PIN DIA: ±0.05   |  |  |   |